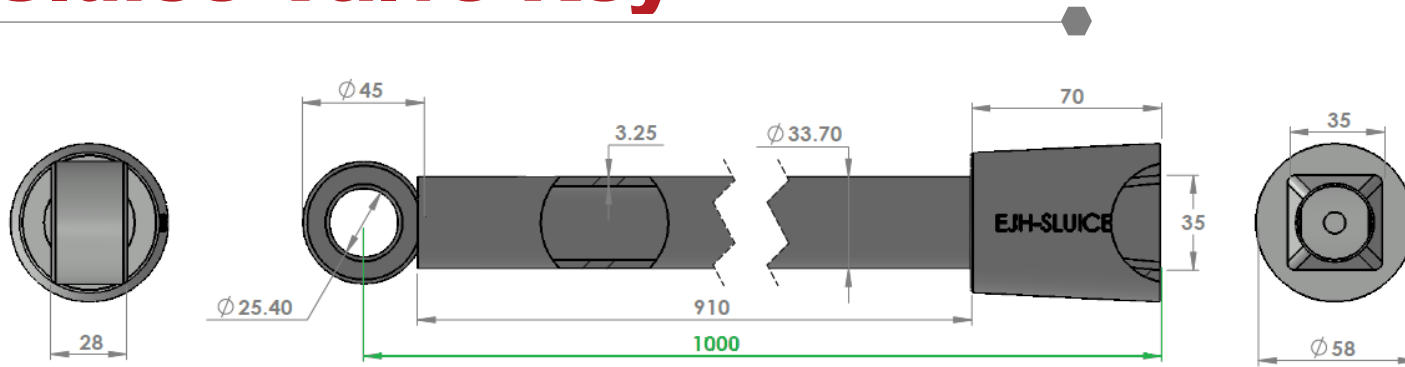


# Sluice Valve Key



## Sluice Valve Key Technical Data

The EJ Hadaway range of Australian standard valve keys comply with AS/NZS 2638 gate valves for waterworks purposes and are used to open gate valves and services.

Sluice Valve Keys are manufactured by welding a hot forged female end to pipe then hot dipped galvanised to AS/NZS 4680.

Hot forged ends provide a stronger product than cast iron or plastic.

Our Valve Keys have been mechanically torque tested to 600Nm with no distortion and meet all dimensional requirements of the relevant Australian Standards.

They are Australian made in Dandenong Victoria.

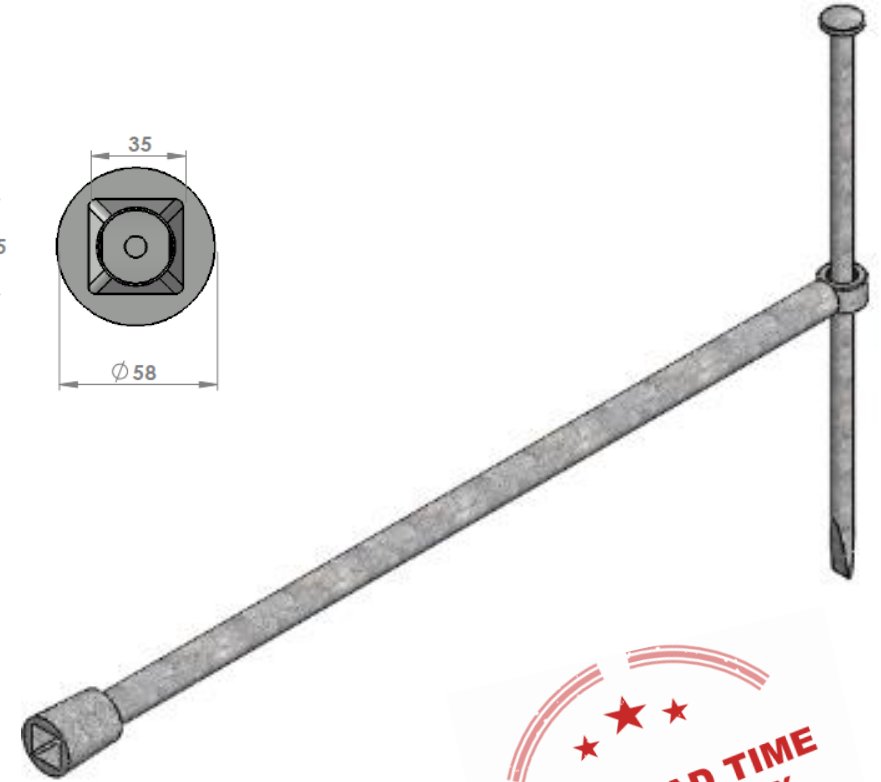
The standard size Sluice Valve key is 1000mm and are kept in stock

Special lengths of 1.2m, 1.5m or 2m can normally be made within 48 hours.

We also manufacture a Heavy duty Sluice Valve key (EJH-VK-GODZILLA)- 1170mm in length and larger pipe.

Each key comes with a removable handle with chisel-end. These handles can be purchased separately if needed.

If the sluice and water mains valves are under ground and are deeper than the length of a Sluice valve key, a Valve spindle extension (various lengths available) can be used with the key to reach the valve.



**E.J.HADAWAY**  
HOT FORGING & CUSTOM FASTENERS

*Give EJ Hadaway a call or email:*

admin@ejhadaway.com.au

☎ (03) 9706 6102